



EECS Electricity Domain Protocol

**for
Lithuania**

Prepared by LITGRID AB

Based on EECS Rules Release 8 v1.6

Date: 12-03-2024

Release 8

12/03/2024

1



Document Control

Version	Date	Originator	Reviewers
[1] [June 2018]	08.06.2018	LITGRID AB	Liesbeth Switten and Katrien Verwimp
[2] June [2020]	25.06.2020	LITGRID AB	Katrien Verwimp and Floriana Furno
[3] December [2020]	08.12.2020	LITGRID AB	Katrien Verwimp and Gianmarco Piamonti
[4]		LITGRID AB	

Version	Approver	Date	Responsibility
	ESG	12-03-2024	

Change History

Version	Description
[1] [2018]	Initial release
[2] [2019]	Minor updates for clarification, after onsite AIB member audit
[3] [2020]	Updates including the updated disclosure legislation in Lithuania and enhancements on production device inspections, for full membership to the EECS Electricity Scheme
[4] [2023]	Updates on registration of production devices, storage issuing, conversion.



Contents

A Introduction	5
B General	5
B.1 Scope	5
B.2 Status and Interpretation	5
B.3 Roles and Responsibilities	6
C Overview of National Legal and Regulatory Framework.....	6
C.1 The EECS Framework	6
C.2 National Electricity Source Disclosure	7
C.3 National Public Support Schemes.....	8
C.4 EECS Product Rules.....	9
C.5 Local Deviations from the EECS Rules.....	9
D Registration	9
D.1 Registration of an Account Holder.....	9
D.2 Resignation of an Account Holder	10
D.3 Registration of a Production Device.....	10
D.4 De-Registration of a Production Device	12
D.5 Maintenance of Production Device Registration Data	13
D.6 Audit of Registered Production Devices.....	13
D.7 Registration Error/Exception Handling	14
E Certificate Systems Administration.....	15
E.1 Issuing EECS GO Certificates.....	15
E.2 Process.....	16
E.3 Measurement.....	17
E.4 Energy Storage (Including Pumped Storage)	18
E.5 Combustion Fuels (e.g. Biomass)	18
E.6 Format	19
E.7 Transferring EECS GO Certificates.....	19
E.8 Administration of Malfunctions, Corrections and Errors	20
E.9 End of Life of EECS GO Certificates – Cancellation.....	20
E.10 End of Life of EECS GO Certificates – Expiry.....	21
E.11 End of Life of EECS GO Certificates – Withdrawal	21
E.12 Energy Carrier Conversion.....	22
F Issuer's Agents	22
F.1 Production Auditor.....	22
G Activity Reporting	22
G.1 Public Reports.....	22

12/03/2024

3

Association of Issuing Bodies

Registered Office: Koloniënstraat 11 | 1000 Brussels | Belgium
Tel: +32-(0)486-5583 01 | Email: info@aib-net.org | Website: <https://www.aib-net.org>
Enterprise number KBO BE0864.645.330 – RPR Brussels
© Association of Issuing Bodies, 2024



G.2 Record Retention	23
G.3 Orderly Market Reporting.....	23
H Association of Issuing Bodies.....	23
H.1 Membership.....	23
H.2 Complaints to the AIB.....	24
I Change Control	24
I.1 Complaints to LITGRID and disputes	24
I.2 Change Requests	24
Annex 1: Contacts List.....	25
Annex 2: Submission Form and Know-Your-Customer Questionnaire.....	25
Annex 3: Device Registration Form	27
Annex 4: Production/Consumption Declaration	32
Annex 5: EECS Electricity Cancellation Statement	34
Annex 6: Declaration form for a Hydro Power Plant with pumping storage	38
Date:	39

A Introduction

The framework specified in the EECS Rules and the detailed procedures and conditions specified in this Domain Protocol have the main objective of ensuring robustness and transparency in the facilitation of EECS Schemes for all EECS Market Participants.

A Domain Protocol promotes quality and clarity, as it:

- Makes local rules transparent.
- Provides clear information to all stakeholders (consumers, market parties, other members, government, the EU Commission etc.).
- Facilitates assessment of compliance and permissible variance from the EECS Rules.
- Facilitates audit.
- Translates local rules into a single format and language, supporting each of the above.

Important contact information is provided in Annex 1.

B General

B.1 Scope

- B.1.1. This Domain Protocol sets out the procedures, rights, and obligations, which apply to the Domain of Lithuania and relate to the EECS Electricity Scheme as defined in the EECS Rules.
- B.1.2. Production Device qualification for this Domain will be determined by connection to the electricity system of Lithuania such that, in electrical terms, the Production Device is effectively located in Lithuania.
- B.1.3. LITGRID AB (thereinafter – LITGRID) - transmission system operator (TSO) is authorised to issue EECS Certificates relating to the following EECS Product(s): Guarantee of origin - thereinafter EECS GO, for electricity produced from renewable energy sources (RES).
- B.1.4. LITGRID is authorised to issue Guarantees of Origin from High-Efficient Cogeneration, but these guarantees are not considered EECS Certificates and do not enter the EECS system in any way.
- B.1.5. No guarantees of origin are issued for electricity produced from fossil and nuclear electricity.
- B.1.6. The use of the term EECS GO in this Domain Protocol is related only with electricity generated from renewable sources.
- B.1.7. EECS GOs are only issued for electricity production that took place starting from January 1st, 2021. Lithuanian GOs that were issued in respect of electricity production that took place prior to this date and foreign GOs which resided in Lithuania before this date, cannot be exported over the AIB hub.

B.2 Status and Interpretation

- B.2.1. The EECS Rules are subsidiary and supplementary to national legislation.
- B.2.2. The EECS Rules and subsidiary documents of EECS Rules are implemented in Lithuania in the manner described in this Domain Protocol. Any deviations from the provisions of the EECS Rules that may have material effect are set out in section C.5 of this document.

- B.2.3. The capitalised terms used in this Domain Protocol shall have the meanings ascribed to them in the EECS Rules except as stated in section C.5 of this document.
- B.2.4. This Domain Protocol is made contractually binding between an EECS Market Participant and LITGRID by agreement in the form of the Standard Terms and Conditions (hereinafter – STC).
- B.2.5. In the event of a dispute, the approved English version of this Domain Protocol will take precedence over a local language version.

B.3 Roles and Responsibilities

- B.3.1. The Authorised Issuing Body for EECS GO in Lithuania is LITGRID, properly appointed by The Order No. 1-298 of the Minister of the Republic of Lithuania of 14 November 2016. The role of Authorised Issuing Body is to administer the EECS Registration Database and the interface with the EECS Transfer System. General information about EECS in Lithuania is available on the website <https://www.litgrid.eu/index.php/services/certification-of-origin/the-guarantee-of-originadministration/582>.
- B.3.2. LITGRID is electricity transmission system operator. LITGRID is fully unbundled from generation and supply of electricity and was certified by the National Regulator – National Energy Regulatory Council (hereinafter - the Council) in 2013 according to European Union third-energy package requirements. Holding company UAB “EPSO-G” owns 97,5% shares and voting rights of LITGRID. EPSO-G is 100% owned by the Ministry of Energy of the Republic of Lithuania.
- B.3.3. The Competent Authority for EECS GO in Lithuania is LITGRID. The role of Competent Authority is defined by legislation, i.e. to be responsible for the operations of EECS GO in Lithuania.
- B.3.4. The Authorised Measurement Bodies are LITGRID and the distribution system operators that are listed on the website of Council <http://www.regula.lt/en/Pages/Electricity/electricity-energydistribution.aspx>. The Authorised Measurement Bodies are established under national regulation to be responsible for the collection and validation of measured volumes of energy used in national financial settlement processes.
- B.3.5. The Authorised Production auditors are LITGRID and the Council.
- B.3.6. Contact details for the principal roles and Issuing Body agents are given in Annex 1.
- B.3.7. The EECS Registration Database operated by LITGRID can be accessed via website grex.grexel.com (hereinafter – Registry).
- B.3.8. The Competent Authority for disclosure in Lithuania is the Council.
- B.3.9. No Non-Governmental Certificates and no national certificates issued in Lithuania. No EECS GO are issued in combination with an Independent Criteria Scheme in Lithuania.

C Overview of National Legal and Regulatory

Framework

C.1 The EECS Framework

- C.1.1. For this Domain, the relevant local legislation is as follows:

- C.1.1.1. The Law on Renewables Energy of 12 May 2011 – link to the document <https://www.etar.lt/portal/en/legalAct/TAR.FC7AB69BE291/rJLKUEYuuA>, the fifth chapter sets out the terms of the GO system in Lithuania, implementing EU Directive 2018/2001.
- C.1.1.2. The Rules for the issue, transfer, cancellation, supervision and control of guarantees of origin for electricity produced from renewable energy sources, as well as recognition in Lithuania of guarantees of origin issued by other Member States approved by the Minister of Energy on 1 June 2020 - link to the document <https://www.etar.lt/portal/en/legalAct/a30fa580a3d311ea9515f752ff221ec9> (thereinafter - The Rules of GO) set out the procedure for administering GOs in Lithuania.
- C.1.2. The main provisions defined in GO regulation are as follows:
- C.1.2.1. The EECS GO is an electronic document issued by LITGRID upon application of the producer, and the sole purpose of the EECS GO is to prove that the unit of electricity has been produced from a renewable source.
- C.1.2.2. The amount of electricity for which the EECS GOs are issued shall be determined using remote metering devices and is measured as net electricity supplied during one calendar month via all connection points of the producer to the grid.
- C.1.2.3. The EECS GO is valid 12 months from the production end date of the corresponding energy unit (lifetime of a GO), if not cancelled before. The EECS GO can be cancelled no later than 6 months after validation period for the consumption during validation period, after that date not cancelled EECS GO expires. To prove the origin of the electricity supplied in the previous year, EECS GO must be cancelled by 31 March of the current year. The EECS GO can be used for electricity supplied before the date of cancellation. Expired EECS GO will be included in the residual mix.
- C.1.2.4. For providing proof to a final customer that a given share or quantity of energy was produced from renewable sources, the EECS GO issued in Lithuania or in other Member States of the European Union or in other states from European Economic Area shall be used. The EECS GO can be transferred independently of the energy to which it relates, from one Account holder to another.
- C.1.3. In Lithuania LITGRID can recognize EECS GO issued in the Member States of the European Union and the countries of the European Economic Area.

C.2 National Electricity Source Disclosure

C.2.1. Legislation and regulation:

- C.2.1.1. According to Article 28 of the Law on Renewables Energy, energy supplier in the invoices or in the promotional material accompanying the invoices shall provide information to its final customers about the share or the amount of energy from renewable sources in the energy supplied in the previous year. This share or amount of supplied energy shall be calculated on the basis of the amount of energy from renewable energy sources for which a guarantee of origin has been cancelled except:
- C.2.1.1.1. the share of energy in its energy mix for which no guarantee of origin is issued and for which the supplier may use the residual mix;
- C.2.1.1.2. a guarantee of origin not issued to a producer who receives a fixed rate – a support scheme measure stated in section C.3.1.6;

According to Article 11, the Council supervises and controls whether the energy supplier provides its end-users with information on the share of energy supplied by the energy supplier or the amount of energy from renewable sources.

C.2.1.2. According to Article 51 of the Law on Electricity of 20 July 2000 - link to the document <https://www.e-tar.lt/portal/lt/legalAct/TAR.F57794B7899F/asr>, energy suppliers in the invoices shall disclose and provide: comprehensible information on the share of each energy source, including renewable energy sources, in the fuel used for the production of electricity supplied by the supplier, in the previous year; references to information sources that provide comprehensible information on the environmental impact, including the amounts of greenhouse gases and radioactive waste generated by electricity generation during the previous year.

The Council shall take the necessary measures to ensure the reliability of the information provided to consumers referred to in this Article (51) and that such information is provided in an easily comparable manner at national level.

C.2.1.3. The GO is cancelled when GO is being transferred to the end user in order to prove the origin of the electricity supplied, only EECS GO and GO issued in other Member states/European Economic Area states and recognized in Lithuania are valid for proof of origin. Cancellation means the end of life of the GO, no further use of GO is allowed.

C.2.1.4. According to Rules of GO, EECS GOs are transferred to the end user whenever the end user purchases electricity under contracts for the purchase and sale of electricity from renewable energy sources, that are described in the Law on Electricity, Article 46¹. Cancellation regarding purchased electricity under contracts is elaborated in section E.9.9. C.2.2. Residual mix:

C.2.2.1. Energy supplier shall use the Lithuanian Residual Mix for the untracked (no guarantee is issued) electricity supplied in the previous calendar year for the disclosure purpose.

C.2.2.2. According to the Rules of GO, LITGRID shall calculate the Lithuanian Residual mix and, by 30 June, publish data on its website for the previous calendar year.

C.2.2.3. The Residual Mix calculated by Grexel Systems Ltd on behalf of AIB is considered to be Lithuanian Residual Mix and is published on the LITGRID website <https://www.litgrid.eu/index.php/services/certification-of-origin/residual-mix/31210>.

C.3 National Public Support Schemes

C.3.1. The Law on Renewables Energy regulates the support scheme in Lithuania. The usage of renewable energy sources shall be promoted by applying the specified support scheme consisting of one or several support measures:

C.3.1.1. Price supplement won at the producer's auction organized by the Council.

C.3.1.2. Priority transmission of energy from renewable sources.

C.3.1.3. Exemption of electricity generators with an operating power plant of less than 500 kW from liability for balancing the electricity produced and / or reserving electricity generation capacity during the support period.

C.3.1.4. Exemption from liability of electricity generators carrying out pilot projects for wind farms with an installed capacity of up to 3 MW or pilot projects for wind farms with up to 3 electricity generation installations for balancing the electricity produced, and (or) reservation of power generation capacity.

C.3.1.5. Support for investment in renewable energy technologies.

C.3.1.6. Fixed rate up to 12 years from the date of issue of electricity production permit: for the producers, whose installed capacity ≤ 10 kW; and for the producers whose installed capacity > 10 kW and who won the auction organized by the Council. Not applicable for the new producers from December 2018.

C.3.1.7. Purchase of energy from renewable sources by the single buyer - energy enterprise designated by the Ministry of Energy or, at the request of the small electricity producer, by a public supplier, on the basis of a contract concluded with the producer. Not applicable for the new producers from December 2018.

C.3.1.8. Exemption of electricity generators from production balancing responsibility, which shall be carried by the operators of the grid, to which generator is connected. Not applicable for the new producers from December 2018.

C.4 EECS Product Rules

C.4.1. The EECS Product Rules as applied in Lithuania are set out within sections D and E of this document.

C.4.2. Energy Carrier Conversion is supported for electricity input to gas production processes in Lithuania.

C.5 Local Deviations from the EECS Rules

C.5.1. The formula in section E.5.3 for calculating the amount of electricity produced from RES in mixedfuel type Production Device differs from the formula in section N.6.3.2 of EECS Product Rules. The different formula has no impact as instead of using multiplication of mass and calorific value directly the factor of tonnes of oil equivalent is applied.

C.5.2. The issuing of EECS GOs may be more than 1 month after after the month of production.

D Registration

D.1 Registration of an Account Holder

D.1.1. Any legal person who is not a member of the Association of Issuing Bodies or such member's affiliate or agent wishing to participate in EECS market can apply to become an Account Holder in the Registry.

D.1.2. The potential Account Holder must enter into an agreement with LITGRID under the STC. The template of STC contract is published on LITGRID website https://www.litgrid.eu/uploads/files/dir588/dir29/dir1/12_0.php.

D.1.3. The potential Account Holder who wants to sign STC with LITGRID must submit a completed submission form provided in Annex 2 and published on LITGRID website <https://www.litgrid.eu/index.php/services/certification-of-origin/the-guarantee-of-originadministration/582>.

D.1.4. After receiving all documentation from the potential Account Holder, LITGRID evaluates whether the application can be accepted. Handling time of properly submitted application is 10 business days from the date of submission of the application/the additional information. Reasons for rejection may be:

D.1.4.1. Required documents are missing or not properly filled / signed.

D.1.4.2. LITGRID has doubts about the expertise and / or aims of the applicant.

D.1.4.3. Rejection recommendation by the AIB.

D.1.5. If the application is accepted, LITGRID signs both copies of the STCs, one is stored in the LITGRID archive and the other is sent to the Account Holder. If possible, digital signing is used.

D.1.6. After signing the STC, LITGRID creates an Account in the Registry for the applicant's organization. When the Account is activated, a log-in authorisation Certificate will be sent

via e-mail to the applicant, awarding full rights to the created Account (root user). The password to install the Certificate will be sent via SMS. The applicant organization becomes an Account Holder and can start operating the Account. One Account Holder organisation can have multiple users.

D.1.7. LITGRID may hold an Account in the Lithuanian domain and may own a Certificate only for the testing purpose, but it reports such activity to the Association of Issuing Bodies.

D.2 Resignation of an Account Holder

D.2.1. The Account Holder must notify LITGRID on the intent to close his account. The effective date of closure must not be less than 30 working days from the date of receipt of the relevant application by LITGRID. This can be done by (digitally) signing a free form application.

D.2.2. LITGRID will close this account as of the effective date on the request or 30 working days from the date of receipt of the application by LITGRID whichever is the later.

D.2.3. The account must not contain any EECS GO Certificates at the time of closure and all financial claims LITGRID has towards an Account Holder must be settled before the closure of the account. LITGRID requires the Account Holder to transfer or cancel all remaining EECS GO Certificates before closure.

D.2.4. LITGRID is not obligated to return already paid fees of the Account Holder, such as the yearly fee for Account Holders, which is stated in STC. D.3 Registration of a Production Device

D.3.1. Production Device's owners or duly authorised agents can apply for registration of Production Device in the Registry. To be registered Production Devices must:

- Be located in Lithuania.
- To have a permit to produce electricity from renewable energy sources, a permit for the development of electricity capacity or a permit for development and operation.
- >10 kW installed capacity.

D.3.2. By registering a Production Device for the purpose of EECS, Production Device owners or authorized agents accept to publish limited data of the Production Device:

- Name;
- Domain;
- GSRN number;
- Fuel(s);
- Technology;
- Installed capacity;
- Date of commissioning;
- Location;
- Name and address of operator;
- Support schemes.

D.3.3. Main documents required for registration to the Registry (Annex 2):

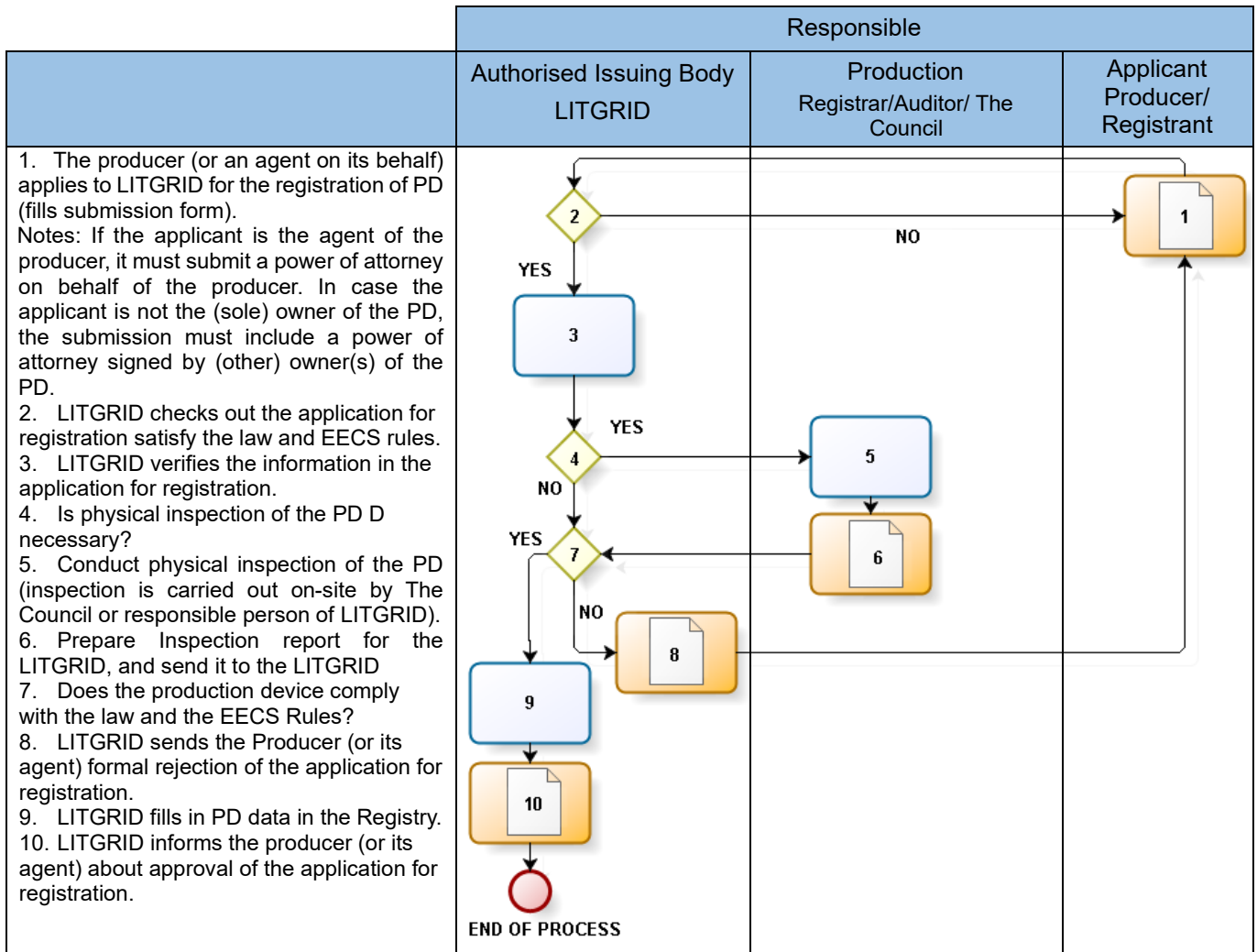
D.3.3.1. A completed submission form as stated in section D.1.3.

D.3.3.2. Power of attorney for the authorized agent. In case the applicant or its affiliate is not the (sole) owner of the Production Device, it must include a power of attorney signed by (other) owner(s) of the Production Device.

D.3.3.3. A copy of a permit to produce electricity. The Council is authorised to issue permits for the production of electricity, the description of procedure is published on the Council's website

https://www.regula.lt/PuSlapiai/bendra/Administracine_informacija/Issuing-of-the-permission-forthe-generation-of-electricity.aspx. The Council shall always carry out an on-site inspection before granting a permit. During the inspection, the following shall be assessed: whether the production facility has been built (installed), reconstructed, modernized in accordance with the design solutions; whether all installation, testing, measuring, commissioning and adjustment of production facility has been performed. The list of permits is published on the Council website - <https://www.regula.lt/en/Pages/licensing-permissions.aspx>.

- D.3.3.4. A copy of the last inspection of the Production Device carried out by the Council, the inspections are described in section D.6.
- D.3.3.5. Other data such as bank account numbers, address, contact person, email, etc.
- D.3.3.6. Any other necessary documents/information depending on the type of Production Device.
- D.3.3.7. LITGRID may request additional information for the registration, if necessary, specifying the time limit when such information must be submitted.
- D.3.3.8. Only equipped with the metering equipment Production Devices can be registered in the Registry. Production Device's owners or authorized agents shall specify authorized Measurement Bodies (the electricity grid operators), to which their Production Device is connected, in the submission form as stated in D.1.3. This information is required for the monthly data control.
- D.3.4. In case of doubts about the Production Device, LITGRID can inspect the Production Device on site or apply to the Council for the inspection of Production Device.
- D.3.5. LITGRID confirms the registration of the Account Holder after approval of received information or in case of Production Device inspected no later than within 10 working days from the date of submission of the application/the additional information. Should the potential Account Holder fail to submit additional information on the request of LITGRID or the Production Device does not comply with Lithuanian laws or the EECS Rules, LITGRID shall reject the application and inform an Account Holder.
- D.3.6. If the Production Device satisfies both the Lithuanian legal acts and the EECS Rules, LITGRID registers the Production Device in the Registry and enables the issuance of EECS certificates for the Production Device and informs the Registrant accordingly. After Production Device registration, it is assigned a unique identifier that also identifies the Domain of origin. GS1/GSRN (Global Service Relational Number) coding is used. D.3.7. PD registration process:



D.4 De-Registration of a Production Device

- D.4.1. Account holder can apply for de-registration of Production Device in the Registry. The effective date of de-registration must not be less than 30 working days from the date of receipt of the relevant application by LITGRID. This can be done by (digitally) signing a free form application.
- D.4.2. LITGRID will update the EECS Registration Database record for that Production Device to show that the Production Device no longer qualifies for EECS Scheme Certificates with effect from as of the effective date on the request or 30 working days from the date of receipt of the application by LITGRID whichever is the later.
- D.4.3. LITGRID is not obligated to return already paid fees of the Account Holder.
- D.4.4. Where LITGRID becomes aware that a Production Device no longer fulfils, or will no longer fulfil the qualification criteria the EECS Registration Database record for that Production Device will be updated to show that the Production Device no longer qualifies for EECS Scheme Certificates with effect from:

- D.4.4.1. (in relation to planned changes notified in advance) the date on which such planned changes are due to come into effect; or
- D.4.4.2. (in relation to other changes) as soon as reasonably practicable after becoming so aware.

D.5 Maintenance of Production Device Registration Data

- D.5.1. The Account Holder must inform LITGRID about any changes that were made on the Account Holder's account in the registration database and to any documents submitted to LITGRID when applying for the Account.
- D.5.2. Where the capacity of an existing Production Device for any reason increases, including refurbishment or enhancement of the Production Device, the additional capacity may be registered in the relevant EECS Registration Database as a separate Production Device with specified application and the date on which the new separate Production Device became operational.
- D.5.3. Only LITGRID can change the information in the Registry related to the Production Device (as stated in sections D.3.2, D.3.3.). Other revisions of information can be done by the Account Holder, only after LITGRID approves them.
- D.5.4. On receipt of notification of a change in the Production Device registration data (following an inspection or otherwise), LITGRID will evaluate the impact of the changes on the qualifying criteria and respond to the Registrant within 10 working days specifying the decision taken. LITGRID may respond to the changes by approving or not approving these changes in the Registry.
- D.5.5. In order to qualify for EECS GO Certificates the Production Device must be re-registered every 5 (five) years. The Account Holder before five-year deadline must send a formal request to the LITGRID on the re-registration of his Production Device and specify the effective date of reregistration. The Account holder must provide the same documents as stated in section D.1.3. LITGRID will thereby proceed to re-registration of the Production Device from the registration database as of the effective date on the request or the first day of the next calendar month in which LITGRID received the request. The relevant data on a Production Device will be stored in the database also after re-registration.

D.6 Audit of Registered Production Devices

- D.6.1. The Council carries out scheduled and / or unscheduled inspections of Production Devices as required by Lithuanian legislation (<https://www.e-tar.lt/portal/lt/legalAct/d82fc2406fe511e484b9c12b550436a3/asr>) and in accordance with the rules approved by the Council (<https://eseimas.lrs.lt/portal/legalAct/lt/TAD/2462f27199dc11e9aab6d8dd69c6da66/asr>).
- D.6.2. Scheduled inspections are carried out in accordance with the annual inspection plan and in accordance with the checklists specified in the act on inspection of operation and technical condition of energy installations. Annual inspection plan is published on the Council's website <https://www.regula.lt/Puslapiai/bendra/Veikla/ukio-subjektu-prieziura.aspx>. Scheduled inspections include solar and wind Production Devices with an installed capacity ≥ 1 MW and other Production Devices with an installed capacity ≥ 500 kW. The remaining Production Devices which are classified as low risk in

accordance with criteria laid down by the Council are inspected by declarations of in-service conformity. The person who owns or operates a Production Device that is included in the annual inspection plan must submit completed declarations of conformity to the Council by 30 September of the current year. Declarations for the same Production Device shall be completed and submitted to the Council every 6 years. Mixed-type Production Device with an installed capacity < 500 kW is as subject to audit referred in section E.5.2.

- D.6.3. Unscheduled inspections are carried out to investigate complaints, accidents or disturbances, accidents related to Production Device, as well as if the declarations of conformity of operation of the energy facility indicate technical safety, risks, hazards to individuals, society and the environment.
- D.6.4. The Council shall, during scheduled inspections or at the request of LITGRID, control the amount of electricity produced from renewable energy sources. The Council, having performed the control, shall, not later than within 10 working days, submit the conclusion to LITGRID. The purpose of production device inspection is to check whether or not the information in relation to the provision of EECS is accurate. The inspection aims to ensure that the registrant is complying with relevant obligations, meets PD qualification criteria. Additionally, the council checks the Measuring device: assess if it is properly positioned to correctly measure the quantity produced and the accuracy of measurement devices is acceptable in accordance with the existing regulatory framework.
- D.6.5. If a Production Device fails to pass the requirements of the audit or the registration information has changed significantly, EECS GO Certificates will not be issued before corrective actions have been performed. If an inspection identifies material differences from the details recorded in the Registry, LITGRID reserves the right to request the Account Holder to re-apply for registration.
- D.6.6. If an inspection identifies material differences from the details recorded on the EECS Registration Database, the issuing of certificates is suspended until the discrepancies with registered data and regulative framework are overcome.
- D.6.7. LITGRID can check at any time a registered Production Device to determine whether the electricity is generated from a renewable energy source and whether the measurement of the produced electricity and EECS Domain Protocol other measures necessary for the production from renewable energy sources as mentioned in the application file, corresponds with reality.

D.7 Registration Error/Exception Handling

- D.7.1. Any errors in EECS GO Certificates resulting from an error in the registered data of a Production Device will be handled in accordance with EECS Rules section E.8.
- D.7.2. Where LITGRID determines that an EECS Market Participant is in breach of the Product Rules or determines that a Production Device does not meet Production Device's Qualification Criteria for an EECS Product in relation to which it is registered, LITGRID shall take such action as is necessary (by informing Production Device owner or Account Holder) to secure that it is compliant with the EECS Rule's section E3.3.9(b), such action to include, in a case of material noncompliance by the Registrant, the withdrawal of registration of the relevant Production Device for the purposes of that EECS Product.
- D.7.3. LITGRID informs AIB of such breach if it could affect the transfer of EECS Certificates out of its EECS Registration Database into the EECS Registration Database of another Member.

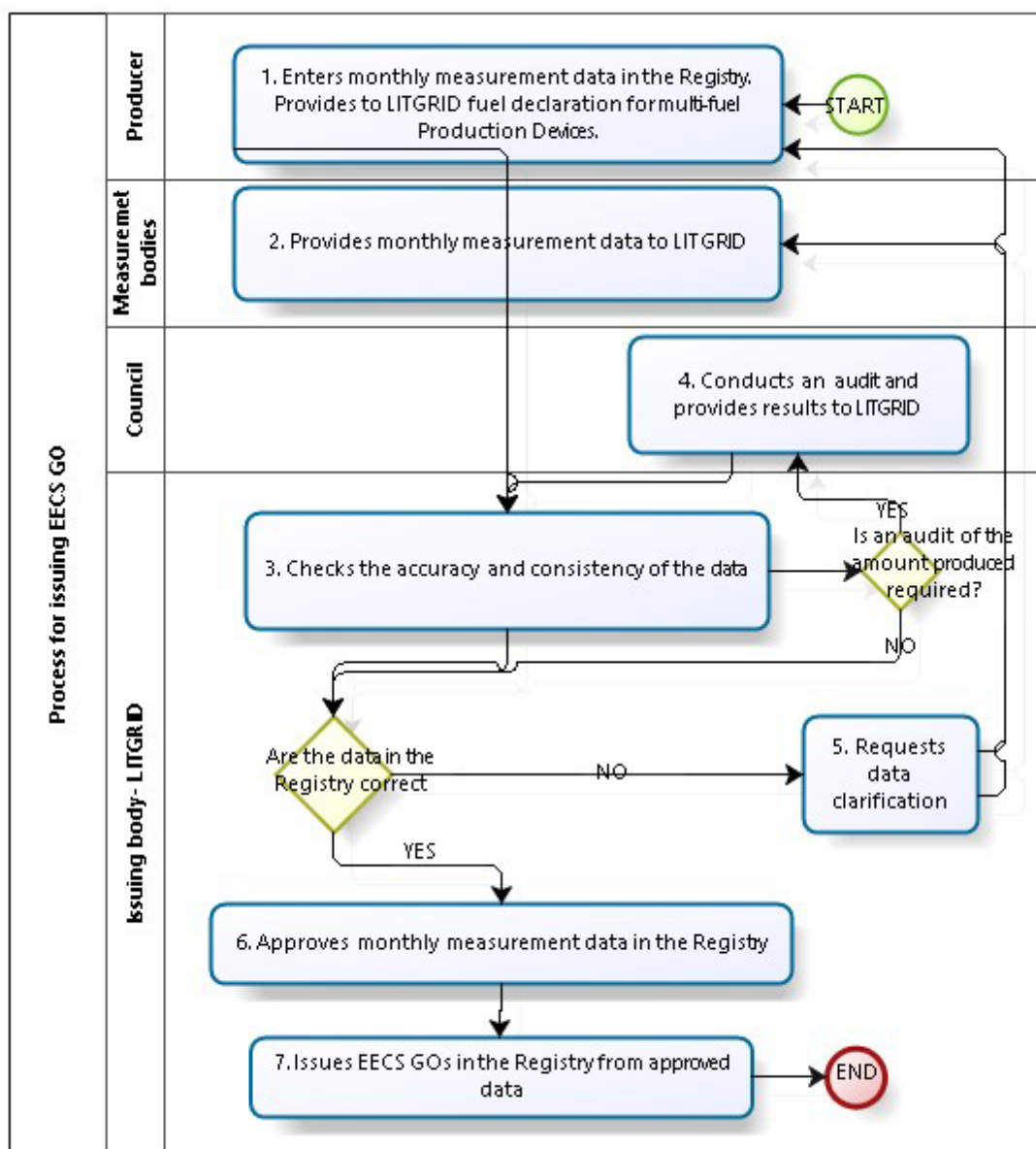


E Certificate Systems Administration

E.1 Issuing EECS GO Certificates

- E.1.1. Only Production Devices registered in the Registry can request for issuing EECS GOs.
- E.1.2. A EECS GO shall be issued per unit of electricity produced from renewable energy sources and supplied (injected) to the electricity grid, no EECS GO shall be issued for electricity consumed for producer's own needs as auxiliary electricity. The face value of one (1) EECS GO is one (1) MWh. Any identifiable residual kWh will be carried forward to the next issuing period until one MWh is completed. No more than one EECS GO shall be issued per unit of electricity produced from renewable energy sources, i. e. each energy unit shall be considered only once.
- E.1.3. The number of EECS GOs issued is equal to the total net amount of electricity produced by Production Device and supplied to the grid in Lithuania during one calendar month period. EECS GOs shall be issued no later than two months after the month of production.
- E.1.4. EECS GO is not issued for the electricity produced from renewable energy sources and supplied (injected) to the electricity grid if the producer is entitled to receive a fixed rate support according to section C.3.1.6.

E.2 Process



E.2.1. The Account Holder no later than within one month after the end of a calendar month requests issuance of EECS GO in the Registry for this calendar month and fills in the produced electricity measurement data. In case of mixed-type (multifuel) Production Device, Production Device owner(s)/Account Holder fills and uploads in the Registry fuel declaration (Annex 4). In case of a Production Device for which one of the Inputs is stored energy, Production Device owner(s)/Account Holder fills and uploads The consumption declaration form for Production Devices (Annex 6). Fuel declaration and/or consumption declaration must be accurate and reliable.

E.2.2. In case of mixed-type power Production Device with several owners, the declaration can be made by any of the owners (or body authorized by an owner) who is also an Account Holder in the Registry.

- E.2.3. No later than within 10 working days after the end of a calendar month Authorized Measurement Bodies - electricity grid operators shall provide LITGRID with information on the quantity of electricity (MWh) produced from renewable energy sources and injected to the grid by each producer during the previous calendar month
- E.2.4. In case of any doubts about the accuracy of Production Device meter readings and/or fuel declarations, LITGRID immediately suspends the issuance of EECS GOs to that Production Device and contacts the owner(s) and/or Measurement Bodies to find out if the discrepancy can be solved. If necessary, LITGRID may request the Council to conduct inspection and verify the amount of electricity produced from renewable energy sources. The Council shall submit the conclusion of the inspection within 10 working days. Issuance of EECS GOs may be done only when all discrepancies have been resolved.
- E.2.5. LITGRID will issue EECS GOs in the Registry only after the Account Holder has entered the metering data in the Registry, metering data from the electricity grid operators are received, and, if necessary, the Council has conducted production amount inspection and LITGRID will have no doubts on the amount of electricity produced from renewable energy sources and supplied to the grid for the requested period.
- E.2.6. The Account Holder shall receive in the Registry information on the issuance of any EECS GO to Account Holder's Transferable Account and information on EECS GO details.
- E.2.7. An EECS Certificate held in an Account is regarded as being owned by the relevant Account Holder.

E.3 Measurement

- E.3.1. Only Production Devices that are equipped with metering equipment shall be registered in the Registry. Production metering equipment is located between Production Device and transmission/distribution grid and measures net generated electricity transmitted to transmission or distribution grid. It is mandatory to have measuring equipment located at frontier points between the activities of generation, transmission and distribution.
- E.3.2. The electricity is measured using the EPQS type electricity meters, which records hourly power transmission. All electric meters should be automated and read automatically via GPRS connection or via the Internet. In case of a device malfunction, its consumption is read from the duplicate device or act (document). Based on hourly data, a monthly act is prepared and signed by the Authorised Measurement Bodies (the electricity grid operators) and Production Device's owners or authorized Agents.
- E.3.3. Production Device's owners or the Authorized Measurement Bodies (the electricity grid operators), who owns the electricity meter equipment are responsible for the measurement equipment, which shall comply with the requirements of the Law on Metrology (link to the document - <https://www.etar.lt/portal/lt/legalAct/TAR.A3C0EA6B2203/pRtgVIATAu>) and conduct periodical metrological control and testing.

E.4 Energy Storage (Including Pumped Storage)

- E.4.1. The guarantee of origin for electricity produced in pumped storage plants using water previously lifted into the upper basin shall be issued in accordance with the procedures established by the Designated Entity, where the water lifted into the upper basin is electricity for which the guarantee of origin for renewable energy sources has been cancelled, or where the water lifted into the upper basin is electricity produced by a renewable energy power plant directly connected to the pumped storage plant.
- E.4.2. A person submitting a Production Declaration in relation to a Production Device for which one of the Inputs is stored energy shall be obliged to submit (in respect of the same period as that to which the Production Declaration relates) a Consumption Declaration and to specify therein the amount of Output consumed in placing energy (in any medium) into storage for use by that Production Device in that period. The consumption declaration form for pumped hydro Production Devices is provided in Annex 6 of this Domain Protocol
- E.4.3 For electricity produced in pumped storage hydropower Production Device, EECS GOs are issued for the total electricity minus the energy consumed for pumping, auxiliary and on-site consumption. In case of using other energy storage medium(s) it would be treated the same.

E.5 Combustion Fuels (e.g. Biomass)

- E.5.1. According to resolution “Description of the Procedure for Promoting the Use of Renewable Resources” of the government of 4 July 2012 (link to the document - <https://www.etar.lt/portal/lt/legalAct/TAR.A644B5F0CCAE/asr>) in the mixed-fuel Production Device the amount of electricity produced from renewable energy sources is assessed according to the fuel balance of Production Device.
- E.5.2. The owner of mixed-type Production Device is responsible for the submission to LITGRID (uploading in the Registry) of the fuel and power balance (Annex 4 with the additional specification of energy inputs according to AIB FS5), which was approved by the Ministry of Energy (link to the document - <https://www.etar.lt/portal/lt/legalAct/5f0969a0dc8d11e58a92afc65dd68e97>). The Council is responsible for the audit on demand and verification of the fuel balance and the amount of produced electricity. LITGRID will not issue EECS GOs before confirmation is received from the Council, in case, if the owner of mixed-type Production Device applies for the issue of EECS GOs.
- E.5.3. For mixed-type Production Device the amount of electricity produced from renewable energy sources shall be calculated proportionally to the consumed renewable energy resources expressed in tonnes of oil equivalent by formula, where L is the proportion of the total electricity produced during month by the relevant resource and toe the amount in tonnes of oil equivalent of the relevant resource:

$$L = \text{toe}_i / (\text{toe}_1 + \dots + \text{toe}_n)$$

The relevant resource input is converted to tonnes of oil equivalent multiplying the mass of relevant input by specific calorific value (calorific equivalent) of that input. The calorific equivalents are specified in the Annex 4 of Fuel and Energy Balance Methodology approved by the General Director of the Department of Statistics



under the Government of the Republic of Lithuania (link to the document - <https://www.e-tar.lt/portal/lt/legalAct/TAR.55F2081A61B9/gnOsauyRHg>).

E.5.4. The share of municipal and / or industrial waste used for the production of energy from renewable sources shall be determined in accordance with the methodology of the Ministry of Environmental Protection of 4 October 2012 (link to the document - <https://eseimas.lrs.lt/portal/legalAct/lt/TAD/TAIS.434728/asr>).

E.6 Format

E.6.1. The EECS GO Certificates shall be issued in such format as may be determined by AIB from time to time.

E.7 Transferring EECS GO Certificates

E.7.1. An Account Holder can get secure electronic access to the Account as stated in section D.1.5 to make transfers of EECS GO Certificates to another Account in the same EECS Registration Database or to another EECS Registration Database for EECS GO Certificates in another Domain through the Registry.

E.7.2. Only persons duly authorized by the Account Holder may request the transfer of EECS GO Certificates out of that Account Holder's Transferable Account. Authorized persons must be identified on the Account application form (Annex 2). Authorized persons can also later be added by the root user(s) of that Account Holder.

E.7.3. Only EECS GO Certificates can be transferred to and from the EECS Registration Database. In accordance with Lithuanian law only GO Certificates for electricity produced from renewable energy sources issued in the European Union Member States and the European Economic Area can be transferred.

E.7.4. The initiation of transfers is done in the Registry by the selling Account Holder. The transfer form shall be filled by the selling Account Holder (whether it is the Producer itself or a Registrant with power of attorney) containing the following data:

E.7.4.1. The amount of EECS GO Certificates to be transferred.

E.7.4.2. Domain of the receiving party.

E.7.4.3. Account Holder of the receiving party.

E.7.5. The transfer of EECS GO Certificates and the confirmation of that transfer is automated. After the Account Holder has initiated the transfer, the Registry instantly displays a message of whether the initiation has been successful. The EECS GO Certificates are automatically transferred to the receiving account if the initiation of the transfer is successful. If the initiation of the transfer is not successful, the EECS GO Certificates do not leave the Account of the original Account Holder. In transfers between Accounts the success of the transfer is subject to the verification process of the AIB HUB and the receiving Registry. When EECS GO Certificates are in transit they are not available for another transfer. If the transfer is not successful, the EECS GO Certificates return to the Account of the original Account Holder.

E.7.6. EECS GO Certificates that have been cancelled or expired are not available for transfer.

E.7.7. Once a EECS GO Certificate has been held in the registry of a non-Hub User, it may never be transferred through the Hub again. LITGRID is only allowed to use the Hub when transferring EECS GO Certificates to any other Hub User, excluding

other means of transfer or separate arrangements in this respect. However, this does not prevent LITGRID to (1) import through a bilateral connection

in its own registry a Certificate that was issued by a Competent Authority that is not a Hub User (even if the Certificate is compliant with EECS and the Subsidiary Document “HubCom”) and to (2) transfer such Certificate through a bilateral connection.

E.7.8. This section E7 is subject to the provisions in section C5.2.

E.8 Administration of Malfunctions, Corrections and Errors

E.8.1. Once issued the details of EECS GO Certificate cannot be altered or deleted except for a correction of an error.

E.8.2. LITGRID has the right to perform corrective actions such as withdrawal or transfer of EECS GO Certificates in the Registry where EECS GO Certificates have been erroneously issued or transferred.

E.8.3. If an error occurs in the measurement data on which basis EECS GO Certificate is created, LITGRID will correct this error. If certificates are issued not correctly, i.e. bigger quantity, and traded, the error will be corrected in future issuing the smaller number of certificates in the next period.

E.8.4. Where it is impossible to transfer for technical reasons, this can be overcome by cancelling EECS GO Certificates for use in another domain, subject to an agreement between LITGRID and the importing Issuing Body.

E.8.5. LITGRID shall correct all errors in or with respect to that EECS GO Certificate and any errors replicated in EECS Certificates split from it, provided that such EECS GO Certificate(s) have not been transferred out of that Transferable Account.

E.8.6. In case the EECS GO Certificates are no longer in the Lithuanian domain, LITGRID will cooperate with other Issuing Bodies to withdraw or correct the erroneous EECS GO Certificates.

E.9 End of Life of EECS GO Certificates – Cancellation

E.9.1. EECS GO Certificates may be cancelled for disclosure of electricity consumption in Lithuania.

E.9.2. EECS GO Certificates may be cancelled for use in countries or areas which are not a Domain in relation to EECS GO Certificates. Cancellation for such countries or areas will only be technically enabled if there is considerable market interest and an understanding between LITGRID and competent authorities in the beneficiary country or area of basic principles of EECS GO trade and disclosure. LITRID must also be reasonably assured that cancellation in the other country or area will not be used in a fraudulent or otherwise inappropriate way.

E.9.3. EECS GO Certificates may only be cancelled for use in other EECS GO Certificates Domains provided that transfer of such EECS GO Certificates is not possible to the other Domain, and there is a Cancellation Agreement with the Scheme Member of that other Domain.

E.9.4. When entering into a Cancellation Agreement LITGRID will ensure that the Cancelling Scheme Member provides statistical information concerning cancelled EECS GO Certificates to the Scheme Member for the other Domain, and that any Cancellation Statement for EECS GO Certificates Cancelled for use in the other Domain clearly identifies the Domain, Account Holder and purpose for which the EECS GO Certificates were cancelled. Information on a new or revised

Cancellation Agreement will be provided to the General Secretary within one month after it is agreed by the Scheme Members.

- E.9.5. The cancellation removes EECS GO Certificates from circulation. Once cancelled, a EECS GO Certificate cannot be moved to any other account and is no longer tradable (transferable). The expired EECS GO Certificates are not valid for cancellation.
- E.9.6. Account Holders possessing EECS GO Certificates in the Registry, can perform cancellations by executing the transaction in the Registry. The Account Holder must specify the EECS GO Certificates to be cancelled as well as the country of consumption, cancellation purpose, usage category, name, type and location of beneficiary and related consumption period. The Account Holder may choose to cancel part or all of a given certificate bundle or several bundles.
- E.9.7. The cancellation of EECS GO Certificates is automated using the cancellation functionality in the Registry. A EECS GO certificate can only be cancelled once and when the EECS GO Certificate has been cancelled it is taken out of circulation and is not available for trade anymore. Cancelled EECS GO Certificates are removed from the Transferable account by changing their status to “cancelled” so they do not appear in any Account of the Registry after the cancellation. The Account Holder performing the cancellation has full access to see the details of the cancellation process in the Registry or they can order an official Cancellation Statement from LITGRID (Annex 5).
- E.9.8. Having performed a cancellation, the Account Holder receives confirmation of a successful or failure cancellation process instantly in the Registry.
- E.9.9. LITGRID ensures, that EECS GOs issued to Production Device that has contract for the sale of electricity from renewable energy sources to the end user according to the section C.2.1.4. are immediately cancelled to that user. Cancelled EECS GO Certificates are removed from the account of Production Device by changing their status to “cancelled” so they do not appear in any Account of the Registry after the cancellation and no further transfer or any other operation is possible.
- E.9.10. Each month LITGRID will provide the General Secretary with a statement of number of EECS GO Certificates cancelled under the provisions E.9.3 and E.9.4.

E.10 End of Life of EECS GO Certificates – Expiry

- E.10.1. EECS GOs expire 18 months after the end date of the production period. The expiry-warning period is set to 30 days in the Registry.
- E.10.2. EECS GO Certificates, which have expired, will have such status in the Registry and are no longer valid for transfer, export, cancellation or any other operation. It is not possible at all to validate an expired certificate for any operation.

E.11 End of Life of EECS GO Certificates – Withdrawal

- E.11.1. EECS GO Certificates which have been withdrawn are no longer valid for transfer.
- E.11.2. LITGRID may withdraw a EECS GO Certificate held in an Account on its EECS Registration Database at the request of the Account Holder of that Account, or otherwise in accordance with the provisions of the EECS scheme as described in section E.8.

E.12 Energy Carrier Conversion

- E.12.1. Only EECS GO Certificates representing the Input to an Energy Carrier Conversion taking place in Lithuania can be cancelled for that usage.
- E.12.2. The usage of an EECS GO cancelled to represent Input to an Energy Carrier Conversion will be identified as EECS Conversion Issuance and the beneficiary type will be identified as Conversion Production Device operator and the operator of that Conversion Production Device will be identified as the beneficiary.
- E.12.3. The relevant Cancellation Statement will include the details identified in E12.2.

F Issuer's

Agents

F.1

Produ

ction

Audito

r

- F.1.1. At the request of LITGRID, the EECS Market Participants, electricity distribution grid operators, the Council and other institutions shall provide other information required for the performance of the functions of LITGRID.
- F.1.2. The Council shall exercise control, during its scheduled inspections or at request of LITGRID, of the quantities of electricity produced from renewable energy sources and other technical parameters if necessary, as stated in section D.6.2.
- F.1.3. A first step of control on the accuracy of the data regarding Production Devices and measurements is always based on the information exchange between local distribution grid companies and LITGRID as the Issuing Body.

G Activity Reporting

G.1 Public Reports

- G.1.1. LITGRID is obligated by the Rules of GO to publish on its website, link - <https://www.litgrid.eu/index.php/services/certification-of-origin/the-statistic-data-of-guarantees-of-origin/583>), no later than within 30 calendar days from the end of a calendar month, information on the:
- G.1.1.1. Quantities (in MWh) of electricity produced in Lithuania from renewable energy sources and supplied to electricity grids, for which the GOs have been issued during the previous calendar month, separately by the types of energy sources.
- G.1.1.2. Recognition of GOs issued in other Member States, transfers and cancellations of GOs, separately by the types of energy sources.



G.1.2. LITGRID makes all the efforts to ensure the confidentiality of the information provided by the participants and compliance with personal data's legal protection requirements in the publication of the information.

G.1.3. Statistical information on Registry transactions can be found on Registry website: <https://grex.grexel.com/en/public/reports/transactionstatistics>.

G.2 Record Retention

G.2.1. LITGRID shall retain all records to which it has had access relating to any EECS GO Certificate on its EECS Registration Database which is the subject of a Transfer Request for not less than 10 years after its Cancellation or Expiry or such longer period as may be required by applicable national legislation.

G.2.2. The Transfer Criteria are that the Account Holder of a Transferables Account in relation to which a Transfer Request is made shall be obliged to retain all records to which they have had access relating to any EECS Certificate corresponding to the relevant EECS Product which is the subject of a Transfer Request for not less than 6 years after the Cancellation of such EECS Certificate (or such longer period as may be required by applicable national legislation).

G.3 Orderly Market Reporting

G.3.1. LITGRID will inform the AIB of any relevant changes in legislation about EECS scheme in Lithuania, especially if it involves changes on this Domain Protocol.

G.3.2. LITGRID will enforce the rules in relation to any act of non-compliance. LITGRID will provide all required information to AIB to resolve or investigate such action.

H Association of Issuing Bodies

H.1 Membership

H.1.1. The AIB is an enabler of EECS GO Certificate schemes. The AIB promotes the use of a standardized System, based on harmonized environment, structures and procedures in order to ensure the reliable operation of EECS GO Certificate Registries. LITGRID considers AIB membership as a key point to remove possible barriers that might impair EECS GO's imports and exports.

H.1.2. In the case LITGRID would be replaced by other Issuing Body for the Lithuanian domain by a new law, AIB would be informed immediately. In this situation, LITGRID would take the necessary actions to guarantee a right transition to the new Issuing Body.

H.1.3. Where LITGRID ceases to be an Authorized Issuing Body in relation to an EECS Product, it shall revise its EECS Registration Database so that each Production Device in the Lithuanian Domain ceases to be registered for the purposes of that EECS Product.

H.1.4. Where LITGRID ceases to be a Scheme Member of an EECS Scheme it shall revise its EECS Registration Database so that every Production Device registered therein ceases to be registered for the purposes of each EECS Product in relation to the Output to which that EECS Scheme relates. The EECS Registration Database shall be locked and no further issuing shall take place.

H.2 Complaints to the AIB

H.2.1. EECS Market Participants may notify in writing the General Secretary of AIB (and provide evidence substantiating such allegation) that:

H.2.1.1. An Authorised Issuing Body in relation to an EECS Product is in breach of any of the provisions of Product Rules in relation to that EECS Product; or

H.2.1.2. Any Product Rules do not comply with the relevant provisions of the EECS Rules. Then provided evidence that the Authorised Issuing Body has been given adequate opportunity to respond to such allegation, the General Secretary shall invite the relevant Authorised Issuing Body to respond to the allegation.

I Change Control

I.1 Complaints to LITGRID and disputes

I.1.1. An Account Holder may file complaints against LITGRID, if the complaint regards to a decision on LITGRID side and LITGRID finds that the complaint is justified, then LITGRID will make all the efforts to correct the mistake as soon as possible. Treatment of the complaint and disputes will be made in accordance with the national legislation.

I.1.2. Disputes between two market parties, where the reason of the dispute is a mistake or technical error of LITGRID, shall be notified as soon as possible to info@litgrid.eu. Disputes between market parties related to delayed or incomplete payment or other issues relating to contractual agreements between the parties will not be handled or resolved by LITGRID.

If LITGRID and the Account Holder are unable to solve a dispute, the issue shall be resolved according to Lithuanian national legislation.

I.2 Change Requests

I.2.1. The EECS Market Participant may propose a modification to this Domain Protocol.

I.2.2. Such a proposal will include a detailed description, including an exact specification of any proposed modification of this Domain Protocol and be passed in writing to LITGRID. I.2.3. On receipt of such a request, LITGRID will:

I.2.3.1. Respond to the request describing the procedures to be followed and estimating when a reply can be expected.

I.2.3.2. Consult with the other EECS Market Participants within Lithuania.

I.2.3.3. Decide whether the request and its consequences are in its opinion reasonable.

I.2.3.4. Inform the Participants within Lithuania the outcome of this decision.

I.2.4. LITGRID may make such modifications to this Domain Protocol as are in its opinion necessary to the effective, transparent and efficient operation of the market.

I.2.5. Any modifications to this Domain Protocol are subject to approval by the AIB (Assessment Panel in accordance with EECS rules section L5.2.1 and the prior consent of the General Meeting in accordance with the provisions of EECS rules section L5) that such changes do not conflict with the Principles and Rules of Operation of the Association of Issuing Bodies (AIB) for The European Energy Certification Registry.



1.2.6. Implementation of modifications will be notified by e-mail to the Participants and will take effect on publication of the documentation on the website www.aib-net.org and LITGRID www.litgrid.eu.

Annex 1: Contacts List

Authorised Issuing Body/ Competent Authority/Registry Operator/Registry support

LITGRID AB

Karlo Gustavo Emilio Manerheimo st. 8

LT-05131 Vilniuse-mail: info@litgrid.eu website: www.litgrid.eu info@litgrid.eu or go@litgrid.eu (questions relating to guarantees of origin and the Registry)

Production Auditors

The National Energy Regulatory Council <http://www.regula.lt/en/Pages/default.aspx>

Measurement Bodies

LITGRID and local distribution grid companies, www.litgrid.eu <http://www.eso.lt/en/home.html> or <http://www.regula.lt/en/Pages/Electricity/electricity-energy-distribution.aspx>

Annex 2: Submission Form and Know-Your-Customer Questionnaire

See separate document: “Know Your Customer” (KYC) Questionnaire

Name of the market participant (company and / or power plant):			
Application Status:	<input type="checkbox"/> New (only new members)	<input type="checkbox"/> Replacement (all previous forms replaces)	<input type="checkbox"/> Amendment(s) (amends existing information)

Status of the market participant	<input type="checkbox"/> Producer	<input type="checkbox"/> Supplier
	<input type="checkbox"/> transmission network <input type="checkbox"/> distribution network <input type="checkbox"/>	<input type="checkbox"/> Lithuanian <input type="checkbox"/> Other country <input type="checkbox"/>
	(indicate to which network is connected)	(indicate)

1. GENERAL CONTACT INFORMATION

Address of the market participant:		Address of the market participant's correspondence:	
Company code:		VAT code:	
Phone:		Email addresses	



Bank details: name, bank code, SWIFT code, IBAN No.	
--	--

License (must be supplied by the supplier)	Operation permit (must provide by the producer)	The recent inspection act of the Council (must provide by the producer)	Recent Property Limit Scheme (must provide by the producer)	A completed Know Your Customer questionnaire (mandatory for non-Lithuanian participants)	Other documents (one of: graphical representations of the PD and its location, including diagrams and photographs, location of any transformer substations and etc. have to be provided by the producer)
--	---	---	---	--	--

2. ADDITIONAL DOCUMENTS*

*- in case of non-providing one of the documents the contract will not be concluded.

3. LIST OF PERSONS WITH RIGHT OF REPRESENTATION

Status:	<input type="checkbox"/> New	<input type="checkbox"/> Existing	<input type="checkbox"/> Replacing [<i>Name surname</i>]	<input type="checkbox"/> Main USER <input type="checkbox"/> Additional USER (indicate one of them)
	Name:		Position:	
Phone No.:		Mobile phone No.:		
E-mail:				
Responsible for:				
Comments:				

Status:	<input type="checkbox"/> New	<input type="checkbox"/> Existing	<input type="checkbox"/> Replacing [<i>Name surname</i>]	<input type="checkbox"/> Main USER <input type="checkbox"/> Additional USER (indicate one of them)
	Name:		Position:	



Phone No.:		Mobile phone No.:	
E-mail:			
Responsible for:			
Comments:			

NOTE: Please indicate one main user and any other users who will need access to the Registry. The main user will receive all necessary information related to access to the Registry via e-mail and SMS.

4. GENERAL TERMS

Confidentiality. The Market Participant undertakes to keep all the information specified in this application, as well as other information related to the execution of this request, confidential and not in any way transferred or otherwise disclosed to any third parties, except in cases stipulated by law or upon receipt of written consent of LITGRID AB.

The change of information. The Participant undertakes immediately inform LITGRID AB in writing if the information specified in the request is changed.

By signing below, I confirm the accuracy of the above- mentioned information and undertake to comply with the terms and conditions set out in this application.

For and on behalf of *[Insert name of market participant]:*

Name and title

Signature
Date:

Signatures:
The Market Participant or his authorized representative must submit a power of attorney, procuracy or other document proving that the signatory has the right to represent the market participant and to sign the representation documents (application, contract and other related documents).

- there is also an option to attach required documents

Annex 3: Device Registration Form

New Registration / Declaration of Changes*	Date	
Registrant Details		
Is the Registrant also the owner of the Device?		Yes/No*
Registrant Name:	Contact person:	



Street:		e-mail:	
City:		Telephone:	
Postal (ZIP) code:		Fax	
Country:			
Production Device Details			
Device Name:		Latitude	
Street:		Longitude	
City:		TSO's metering ID	
Postal (ZIP) code:		Installed capacity (kW)	
Country:		Date of commissioning	
Measurement Body:		Grid connected	
		Yes/No*	
Production Auxiliaries present (if yes give details):		Yes/No*	
If the Production Device is not connected directly to the grid, specify the circumstances, and additional relevant meter registration numbers:			
Energy Sources (see tables below) Energy Input			Technology
Level 1	Level 2	Level3	Level 1
			Level 2
			Level3
Support Schemes			
Yes/No*	[insert support scheme name here]		Yes/No* [insert support scheme name here]
Yes/No*	[insert support scheme name here]		Yes/No* [insert support scheme name here]
Yes/No*	[insert support scheme name here]		Yes/No* [insert support scheme name here]
Independent Certification Schemes for which the device is eligible			

* Please attach to the application a copy of a permit to produce electricity and/or of an operating permit/licence issued to the supplier where such permit/licence is mandatory according to the law. Signed

Registrant Authorised Signature

Signature of Production Registrar

The following is a summary of the EECS Rules Fact Sheet 'Types of Energy Inputs and Technologies' entries for technologies.

Energy Inputs			
Level 1	Level 2	Level 3	
Solid	Unspecified	Unspecified	
	Municipal waste	Biogenic	
	Industrial and commercial waste	Biogenic	
	Wood	Unspecified	
		Forestry products	
		Forestry byproducts & waste	
	Animal fats	Unspecified	
	Biomass from agriculture	Unspecified	
		Agricultural products	
		Agricultural byproducts & waste	
Liquid	Unspecified	Unspecified	
	Municipal biodegradable waste	Unspecified	
	Black liquor	Unspecified	
	Pure plant oil	Unspecified	
		Rapeseed (Brassica napus L.)	
		Sunflower (Helianthus annuus L.)	
		Oil palm (Elaeis guineensis Jacq.)	
		Coconut (Cocos nucifera L.)	
		Yatropha	
	Waste plant oil	Unspecified	
	Refined vegetable oil	Unspecified	
		Biodiesel (monoalkyl ester)	
		Biogasoline (C ₆ -C ₁₂ hydrocarbon)	
	Gaseous	Unspecified	Unspecified
Landfill gas		Unspecified	
Sewage gas		Unspecified	
Agricultural gas		Unspecified	
		Pig manure	
		Cow manure	
		Chicken manure	
		Unspecified manure	
		Energy crops	
Gas from organic waste digestion		Unspecified	
Process gas	Biogenic		
Heat	Solar	Unspecified	

Technologies			
Level 1	Level 2	Level 3	
Solar	Unspecified	Unspecified	
	Photovoltaic	Unspecified	
		Classic silicon	
		Thin film	
	Concentration	Unspecified	
Wind	Unspecified	Unspecified	
		Onshore	
		Offshore	
Hydro-electric Head	Unspecified	Unspecified	
	Run-of-river head installation	Unspecified	
	Storage head installation	Unspecified	
	Pure pumped storage head installation	Unspecified	
	Mixed pumped storage head	Unspecified	
Marine	Unspecified	Unspecified	
	Tidal	Unspecified	
		Onshore	
		Offshore	
	Wave	Unspecified	
		Onshore	
Offshore			
Currents	Unspecified		
Pressure	Unspecified		
Thermal	Unspecified	Unspecified	
	Combined cycle gas turbine with heat recovery	Unspecified	
		Non CHP	
	Steam turbine with backpressure turbine (open cycle)	Unspecified	
		Non CHP	
	Steam turbine with condensation turbine (closed cycle)	Unspecified	
		Non CHP	
	Gas turbine with heat recovery	Unspecified	
		Non CHP	
	Internal combustion engine	Unspecified	
		Non CHP	
	Micro-turbine	Unspecified	
		Non CHP	
	Stirling engine	Unspecified	
Non CHP			
Fuel cell	Unspecified		
	Non CHP		
Steam engine	Unspecified		
	Non CHP		
		CHP	
		Unspecified	

	Geothermal	Unspecified
		Conventional geothermal heat
		Enhanced dry bed geothermal heat
	Aerothermal	Unspecified
	Hydrothermal	Unspecified
	Process heat	Biogenic
Mechanical source or other	Unspecified	Unspecified
	Wind	Unspecified
	Hydro & marine	Unspecified

	Organic rankine cycle	Non CHP
		CHP
Nuclear	Unspecified	Unspecified
	Heavy-water reactor	Unspecified
	Light water reactor	Unspecified
	Breeder	Unspecified
	Graphite reactor	Unspecified
Other	Unspecified	Unspecified



Annex 4: Production/Consumption Declaration

Filled in the Registry directly.

For the mixed-type power plants

(The form of the electric fuel balance)

(Name of the company, registration code and address)

(Name of the producers, a permit number and date)

(contacts, which is sent in the form of)

ELECTRIC FUEL BALANCE

(date of signature)

(date of production)

	Measurement unit	
1. Consumption of fuel in total	t. o. e.	
1.1. Renewable energy resources	t. o. e.	
1.1.1. Biofuel	t. o. e.	
1.1.1.1. Gaseous	t. o. e.	
1.1.1.2. Liquids	t. o. e.	
1.1.1.3. Solid	t. o. e.	
1.1.2. Other renewable energy resources	t. o. e.	
1.2. Non-renewable energy resources	t. o. e.	
1.2.1. Natural gas	t. o. e.	
1.2.2. Fuel oil	t. o. e.	
1.2.3. Other	t. o. e.	
2. Renewable energy's share of total fuel consumption	%	
3. Electricity produced during the reporting month	MWh	
4. Heat energy made during the reporting month	MWh	
5. The amount of electricity delivered to the networks for reporting month according to the counter.	MWh	



5.1. The amount of electricity from renewable sources delivered to the networks for reporting month (nett output)	MWh	
5.2. The amount of electricity from non-renewable sources delivered to the networks for reporting month	MWh	
6. The electric energy amount consumed for producer own needs as auxiliary electricity	MWh	
Support scheme		

(responsible person) (signature) (Name, surname, contact phone number)



EECS Domain Protocol



Annex 5: EECS Electricity Cancellation Statement

Template

This Cancellation Statement acts as a receipt for the <EECS Scheme> Certificates listed below and for the purpose shown.

With this Cancellation Statement, released on the <yyyy-mm-dd>, the indicated Certificates are no longer tradable. Onward sale of this Cancellation Statement is prohibited. The environmental qualities of the associated energy have been consumed and this Cancellation Statement and these Certificates may not be transferred to any party other than the energy supplier or end-consumer specified below.

Transaction Type:	<...>
Transaction Date:	<...>
Transaction Number:	<...>
Transaction status:	<...>

From	
Name of Account Holder:	<...>
Account:	<...>
Domain:	<...>
Street:	<...>
Postal Code and City:	<...>
Country:	<...>

To	
Name of Beneficiary:	<...>
Cancellation Purpose:	<...>
Consumption Period:	<...>
Country of Consumption:	<...>
Location of Beneficiary:	<...>
Usage Category:	<...>
Type of Beneficiary:	<...>

Total GO	<...>
----------	-------

Total MWh:	<...>
------------	-------



EECS Domain Protocol

Certificate Number (From - To)	Volume	Domain	Fuel, Technology	Issuing Date	Production Period	Production Device (GSRN, installed capacity, name)	Trading schemes	Support Schemes
<...>	<...>	<...>	<...>	<...>	<...>	<...>	<...>	<...>

Production Device public information	
Production Device Name:	<...>
Production Device GSRN:	<...>
Domain of Production Device:	<...>
Installed Capacity, MW	<...>
Date of Commissioning:	<...>
Location of Production Device:	<...>
Operator Name:	<...>
Address of Operator:	<...>
Technology:	<...>
Fuel:	<...>
<...>	<...>

LITGRID, Lithuania

Signature

Association of Issuing Bodies

Registered Office: Koloniënstraat 11 | 1000 Brussels | Belgium

Tel: +32-(0)486-5583 01 | Email: info@aib-net.org | Website: <https://www.aib-net.org>

Enterprise number KBO BE0864.645.330 – RPR Brussels

© Association of Issuing Bodies, 2024

Annex 6: Declaration form for a Hydro Power Plant with pumping storage

1. Account holder and production device basic information		
<...>		
Name of Account Holder:		<...>
Member Code:		<...>
Name of production device		<...>
Month and year relating to declaration		<...>
2. Data on generated electricity for which GO are being issued		
a) Total electricity production	(MWh)	<...>
b) Electricity consumed for pumping	(MWh)	<...>
c) Electricity consumed on-site (if any)	(MWh)	<...>
d) Electricity consumed for auxiliaries	(MWh)	<...>
Generated electricity for which GO are being issued (a-b-c-d): (MWh)		<...>

By signing application I confirm authenticity of data and the following:

- I am authorized for submitting the declaration
- I allow Litgrid AB to issue EECS certificates on my behalf
- Submitted data is based on Decision on status of eligible producer

Date: _____

Name and surname: _____

Signature and stamp: _____

Association of Issuing Bodies

Registered Office: Koloniënstraat 11 | 1000 Brussels | Belgium

Tel: +32-(0)486-5583 01 | Email: info@aib-net.org | Website: <https://www.aib-net.org>

Enterprise number KBO BE0864.645.330 – RPR Brussels

© Association of Issuing Bodies, 2024